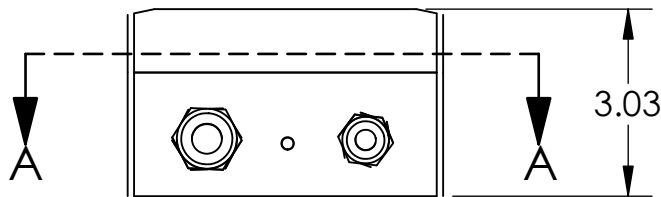
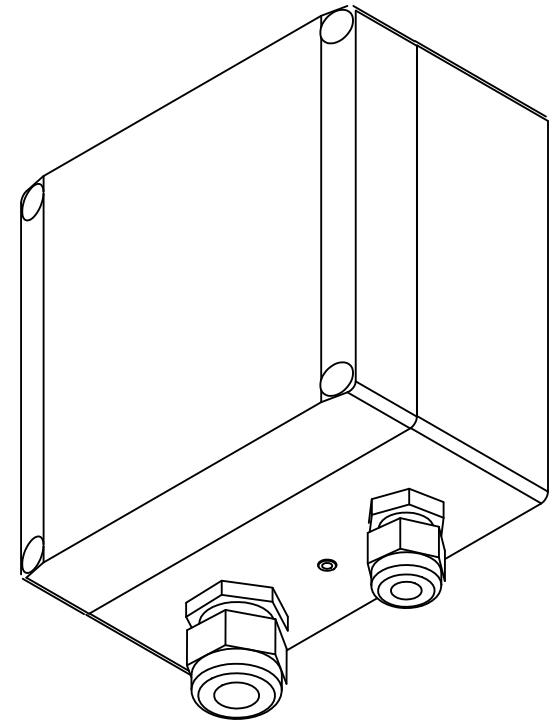
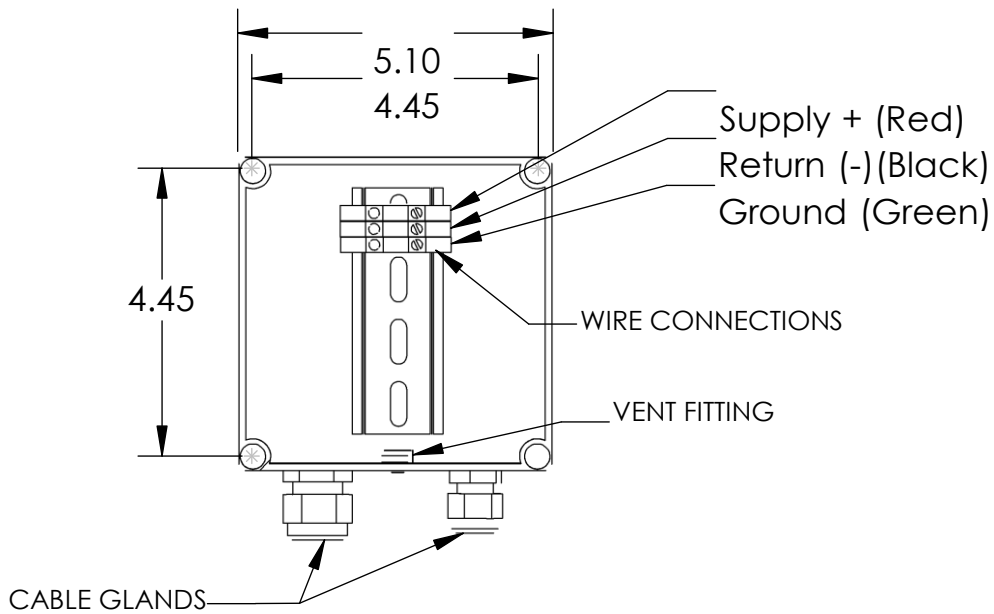




Installation Instructions for Oyster Dri-Box Termination Enclosure

1. The Oyster Dri-Box is a Nema 4X rated enclosure designed for use with ECHO submersible level transmitters. Enclosure mounting holes are located directly under the cover screws. Remove the cover and mount enclosure with the vent and cable glands facing down.
2. Route sensor cable (including the reference tube) into the DRI-BOX enclosure through the supplied cable gland and connect wires in accordance with the attached drawing. If the DRI-BOX is not being used in conjunction with a Moisture Protection Ballon, simply allow the reference tube inside the cable jacket to exist inside the enclosure unobstructed. If using the Dri-Box in conjunction with a MPB, see step 4 below.
3. The standard DRI-BOX enclosure is supplied with 2 desiccant canisters, install one in the enclosure and keep the second to change once the indicating silica gel turns pink. To reactivate the canister after it turns pink, place in an oven for 3 hours at 300°F.
4. The DRI-BOX can also be ordered with the optional MPB Moisture Protection Ballon. This option does not require any desiccant canisters. The Vent Fitting, which is supplied with the standard DRI-BOX is replaced with a double-sided hose barb. After the electrical connections are made, the reference tube inside the sensor's cable jacket is connected to the hose barb on the inside of the DRI-BOX enclosure and the MPB is connected to the hose barb on the outside of the termination enclosure.
5. Installation is complete



UNLESS OTHERWISE SPECIFIED:
DIMENSIONS ARE IN INCHES
TOLERANCES:
FRACTIONAL 1/64
ANGULAR: 1/2
.X 0.030
.XX 0.010
.XXX 0.005

INTERPRET GEOMETRIC
TOLERANCING PER:
MATERIAL
POLYCARBONATE
FINISH

DO NOT SCALE DRAWING

	NAME	DATE
DRAWN		
CHECKED		
ENG APPR.		

COMMENTS:
R1 - New Drawing

ECHO Process Instrumentation, INC.
PO Box 800, Shalimar, FL 32579 USA
PH: 850-609-1300 Fax: 850-651-4777
WWW.ECHOPI.COM

TITLE:
Dri-Box Termination Enclosure

SIZE	DWG. NO.	REV
A	DRI-BOX	R1