



VIBRASWITCH 200

Process Instrumentation

Vibrating Level Switch for Solids.

The **Vibraswitch 200 Series** uses a piezoelectric crystal that vibrates at a known frequency. When the material comes in contact, the oscillation changes and forces the relay to activate. As the material lowers, the normal oscillation resumes and the relay goes back to normal state. Vibration from other sources like conveyors, motors, and material movement are completely ignored by the switch.

The design of the blade profile and the frequency of oscillation ensures that the probe is able to resist material build-up, thus providing trouble-free operation. Also, the switch is unaffected by the dielectric constant of the material, changing materials or changing moisture within the material.

Typical applications may be found in the food, animal feed, pharmaceutical, chemical, plastics, quarrying, power generation, cement and other bulk solids industries. It is suitable for most products including foodstuffs, plaster, cement, chalk, lime, granulates, wood chips, cereals, cocoa, sugar, powders and pellets.

- **Stockrol Single Blade Switch**
- **No Calibration Required**
- **Ideal for Low Bulk Densities**
- **Optional Rigid & Flexible Lengths**
- **Ideal for Low Dielectric Materials**

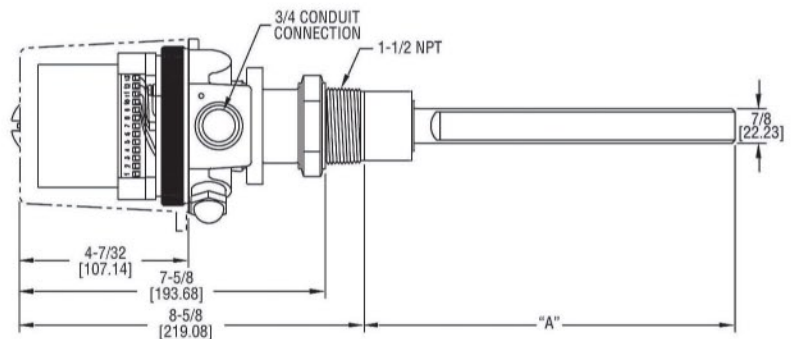
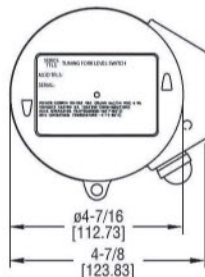


VIBRASWITCH 200



VIBRASWITCH 210

EXTENSION LENGTH	DIM "A"
NONE	9-1/4 (234.95)
6 INCH	15-7/8 (403.23)
12 INCH	21-7/8 (555.63)
18 INCH	27-7/8 (708.03)
24 INCH	33-7/8 (860.43)
36 INCH	45-7/8 (1165.23)
48 INCH	57-7/8 (1470.03)



VIBRASWITCH 220 - Dual Blade

