



VIBRASWITCH 200

Process Instrumentation

Single and Dual Vibrating Level Switches for Solids Applications.

The **Vibraswitch 200 Series** uses a piezoelectric crystal that vibrates at a known frequency. When the material comes in contact, the oscillation changes and forces the relay to activate. As the material lowers, the normal oscillation resumes and the relay goes back to normal state. Vibration from other sources like conveyors, motors, and material movement are completely ignored by the switch.

The design of the blade profile and the frequency of oscillation ensures that the probe is able to resist material build-up, thus providing trouble-free operation. Also, the switch is unaffected by the dielectric constant of the material, changing materials or changing moisture within the material.

Typical applications may be found in the food, animal feed, pharmaceutical, chemical, plastics, quarrying, power generation, cement and other bulk solids industries. It is suitable for most products including foodstuffs, plaster, cement, chalk, lime, granulates, wood chips, cereals, cocoa, sugar, powders and pellets.

- **Stockrol Single Blade Switch**
- **No Calibration Required**
- **Ideal for Low Bulk Densities**
- **Optional Rigid & Flexible Lengths**
- **Ideal for Low Dielectric Materials**

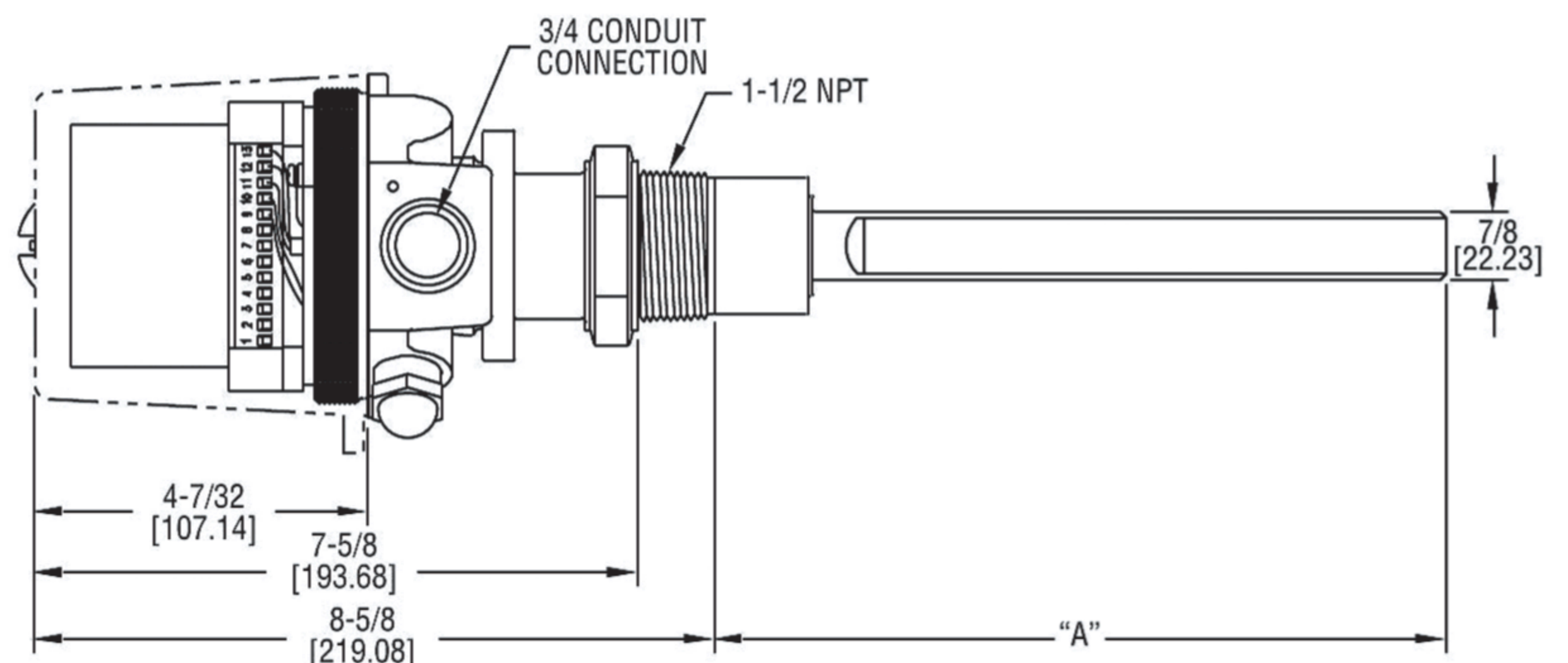
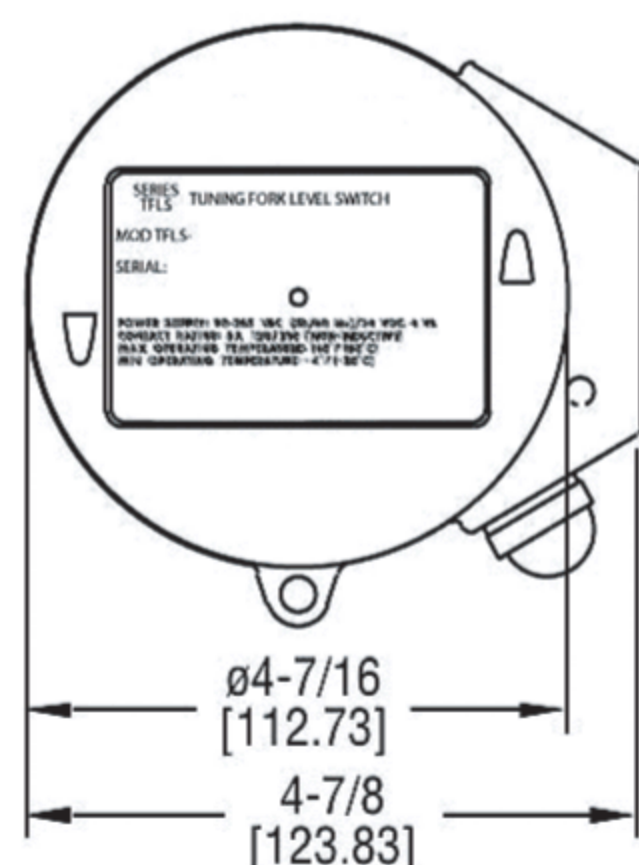


VIBRASWITCH 220



VIBRASWITCH 210

EXTENSION LENGTH	DIM "A"
NONE	9-1/4 (234.95)
6 INCH	15-7/8 (403.23)
12 INCH	21-7/8 (555.63)
18 INCH	27-7/8 (708.03)
24 INCH	33-7/8 (860.43)
36 INCH	45-7/8 (1165.23)
48 INCH	57-7/8 (1470.03)



VIBRASWITCH 220 - Dual Blade

Technical Specifications: VibraSwitch 200 Series



TECHNOLOGY / OPERATION

Measuring Principle Vibrating Point Level Switch for Solids

VIBRASWITCH 210 - SINGLE BLADE

Standard Blade Length	6.30 inches (160 mm)
Mounting Thread	1.5 inch MNPT
Housing/ Blade Material	Diecast Aluminum Painted/ Stainless Steel 304
Product Density	Minimum material density is 1.9 pcf (30.4 g/l)
Product Size	Maximum particle size 0.5 inch
Power Supply	110/220 VAC, -15/+10%, 2VA
Output	1 SPDT Relay, 5A @ 250 VAC
Temperature Range	Process: -4° to +176°F (-20° to +80°C) Ambient: -4° to +146°F (-20° to +60°C)
Pressure Limit	87 psi (6 bar)
Outdoor Rating	NEMA 4X (IP65), Weatherproof

VIBRASWITCH 215 - SINGLE BLADE - HIGH TEMPERATURE VERSION

Specifications	Same as above except temperature
Temperature Range	Process: -4° to +284°F (-20° to +140°C) Ambient: -4° to +146°F (-20° to +60°C)

VIBRASWITCH 220 - DUAL BLADE

Standard Blade Length	9.25 inches (235 mm)
Mounting Thread	1.5 inch MNPT
Housing/ Blade Material	Aluminum, Powder coated/ Stainless Steel 316
Product Density	Minimum material density is 1.8 pcf (30 g/l)
Product Size	Maximum particle size 0.4 inch
Power Supply	Universal 90 to 250 VAC 50/60 Hz and 24 VDC; 4 A
Output	1 SPDT Relay, 5A @ 230 VAC
Temperature Range	Process: -4° to +176°F (-20° to +80°C) Ambient: -4° to +146°F (-20° to +60°C)
Pressure Limit	145 psi (10 bar)
Outdoor Rating	NEMA 4X (IP65), Weatherproof

WARRANTY

Product Warranty 1 Year

Our policy is one of constant development and improvement. ECHO reserves the right to amend details as necessary. Environmental conditions can affect accuracy slightly.

PART NUMBER CONFIGURATOR													
MODEL	VibraSwitch - Vibrating Level Switch	V	S	2									
CONFIGURATION	Single Blade (Stockrol), Standard Insertion Length 7.37"				1								
	Dual Blade, Standard Insertion Length 9.25"				2								
TEMPERATURE	Standard Process Temperature: -4°F to +176°F					0							
	High Process Temperature: -4°F to +284°F (Single Blade Only)					5							
EXTENDED OPTION	No Extension, Standard Insertion Length							S					
	Stainless Steel Rigid Extension (Single Blade Only)							R					
	Stainless Steel Cable Extension (Single Blade Only)							C					
EXTENDED LENGTH	Standard Extension								-				
	Stainless Steel Rigid Extension in INCHES (Single Blade Only)								-	R	I	G	I
	Stainless Steel Cable Extension in INCHES (Single Blade Only)								-	C	A	B	L